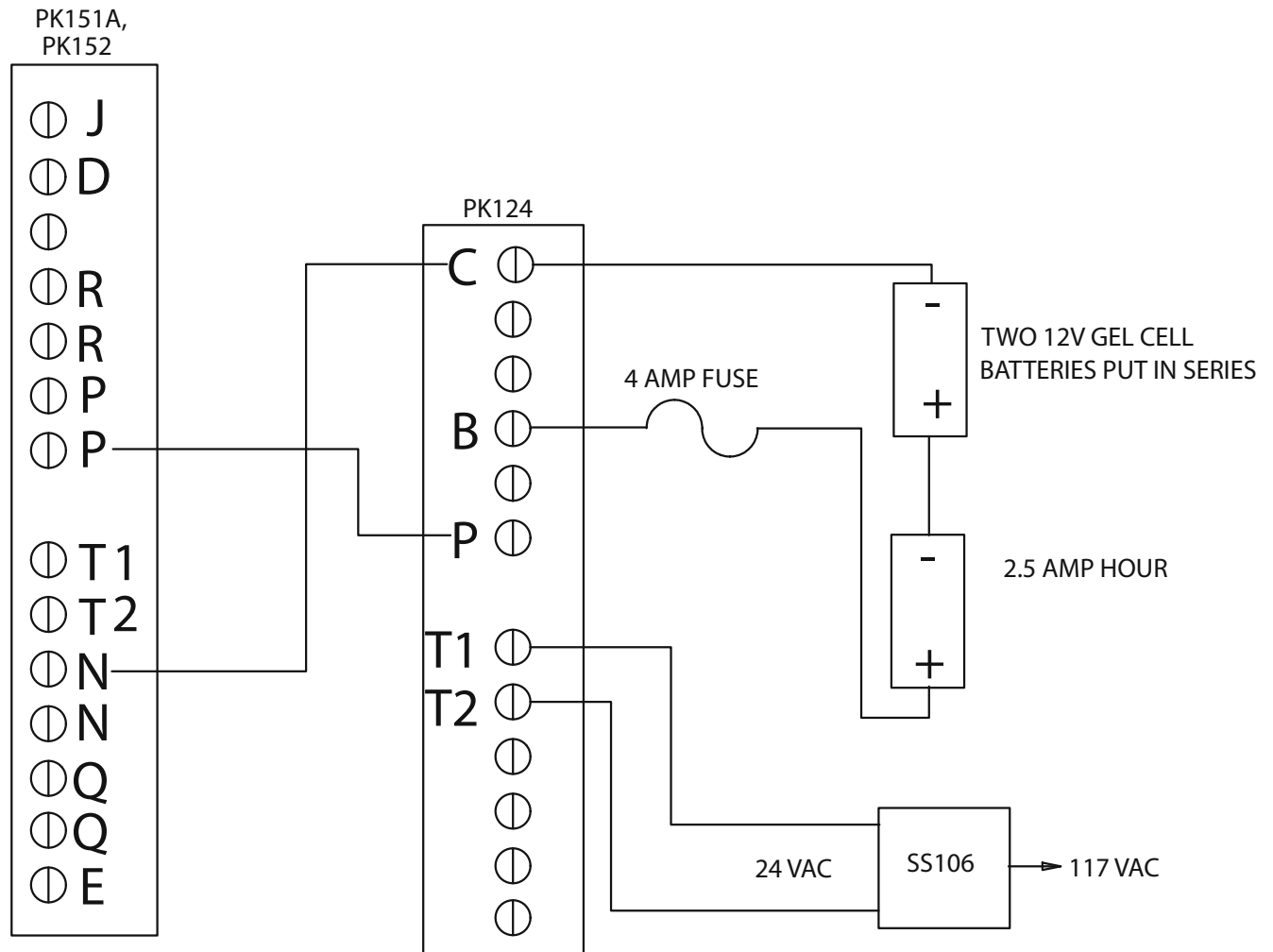


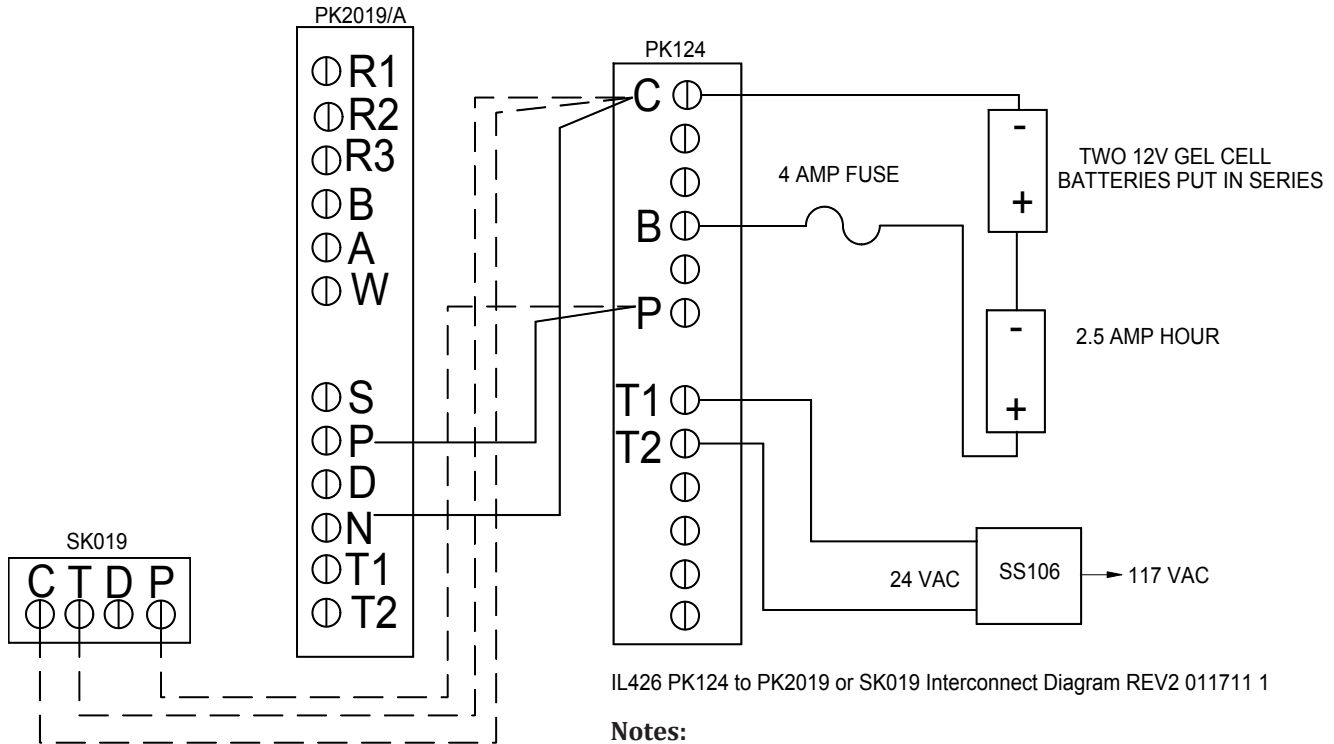
Figure 1—PK124 to PK151A or PK152 Interconnect Wiring Diagram
Tek-CARE[®] NC110, NC150 & NC200 Nurse Call Systems; Tek-SAFE[®] Area of Rescue Assistance System



Notes:

1. Do not connect transformer to PK151A or PK152.
2. Use 24 VAC connections on SS106 transformer.
3. All wiring #18 unless shown.
4. See installation manual for additional PK151A or PK152 connections.

Figure 2—PK124 to PK2019/A or SK109 Interconnect Wiring Diagram
 CM800 & CM900 Emergency Call Systems; DS100 Emergency Call System

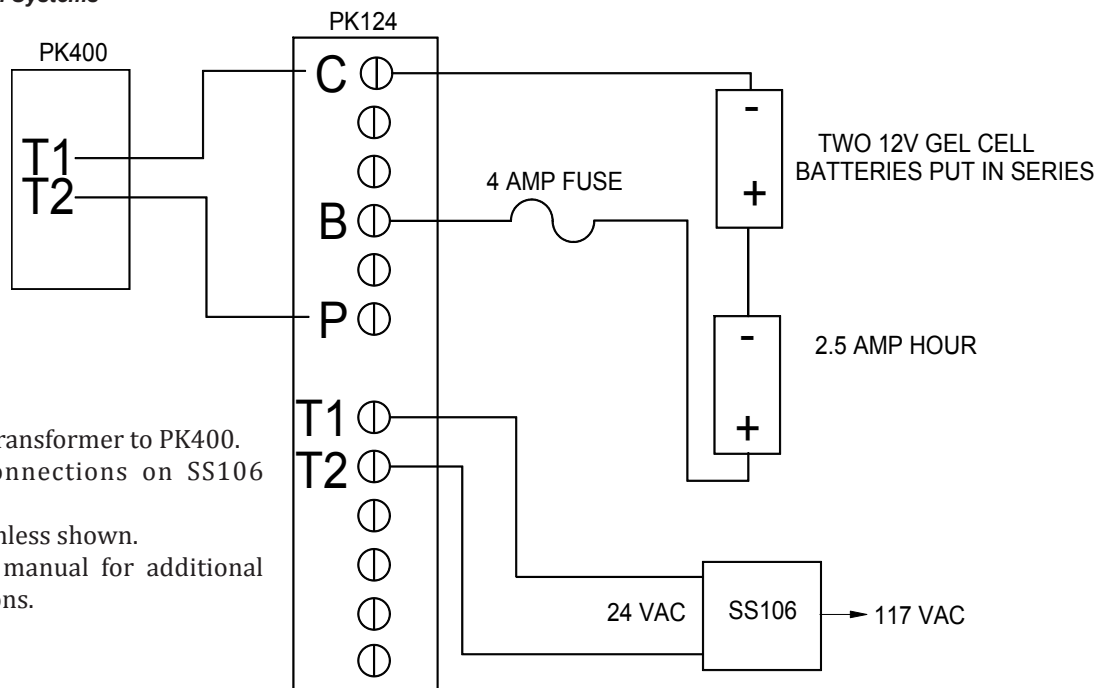


IL426 PK124 to PK2019 or SK019 Interconnect Diagram REV2 011711 1

Notes:

1. Do not connect transformer to PK2019/A or SK019.
2. Use 24 VAC connections on SS106 transformer.
3. All wiring #18 unless shown.
4. See installation manual for additional PK2019/A or SK019 connections.

Figure 3—PK124 to PK400 Interconnect Wiring Diagram
 SM400-series Intercom Systems



IL426 PK124 to PK400 Interconnect Diagram REV1 011711 1

Notes:

1. Do not connect transformer to PK400.
2. Use 24 VAC connections on SS106 transformer.
3. All wiring #18 unless shown.
4. See installation manual for additional PK400 connections.